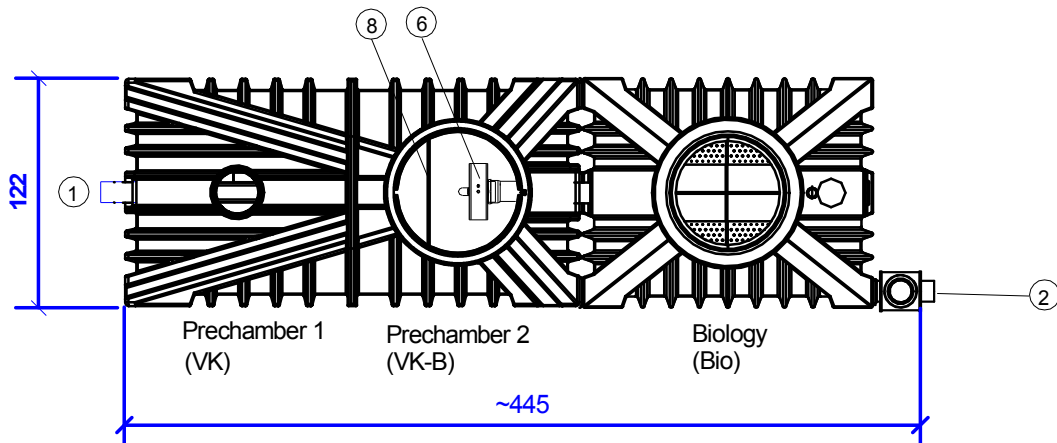
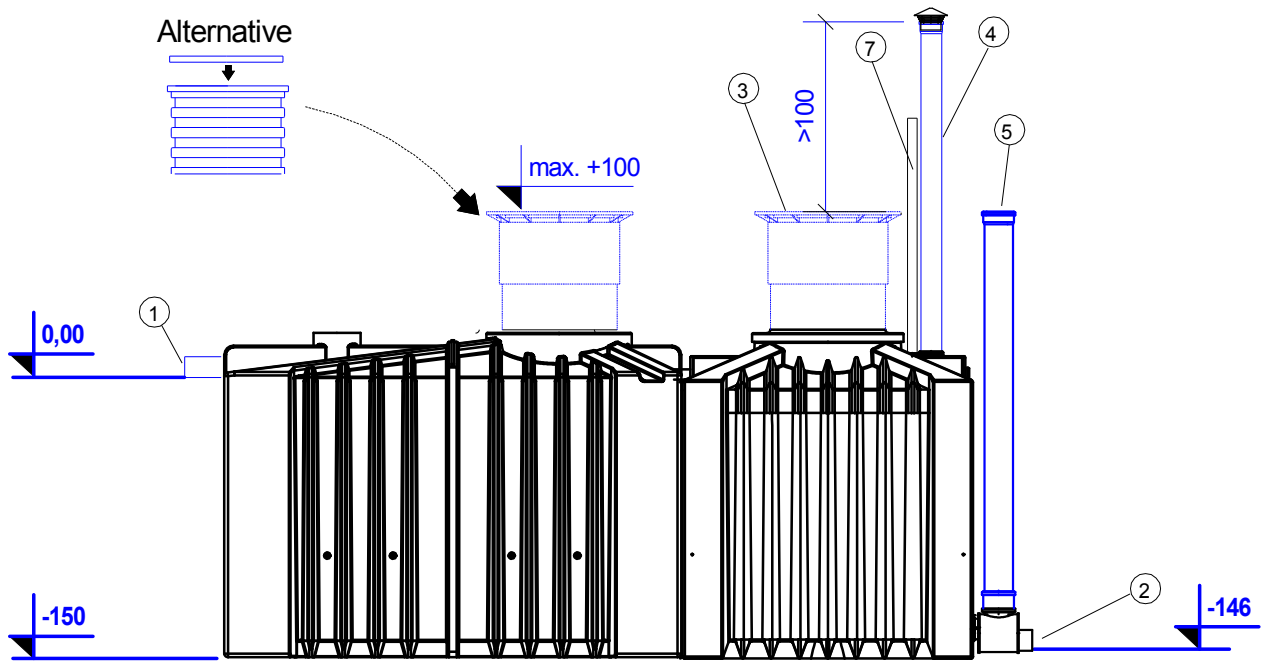


All blue marked components are required on site or options.



1. Inlet DN100 (Mat. KG/PE)
2. Outlet by gravity DN 100 (Mat. KG/PE)
3. Cover with aeration holes (Mat. PE)
4. Aeration-pipe DN100 (Mat. KG / PE)  
If the aeration pipe is moved laterally in the ground, always with drop to the system!!!
5. Sampling shaft DN150 (Mat. KG / PE)
6. Restriction valve to biological reactor
7. Alarm (Indicator for water backflow) - Option
8. Baffle wall (Mat. PE)

Material for tanks: PE

all measurements in cm

**Note:**

In case that effluent must be lifted, please replace the sampling chamber with a pumping station.

Series 6 p.e.  
Drain by gravity

www.clearfox.com  
info@clearfox.com



WWTP ClearFox nature  
Class C