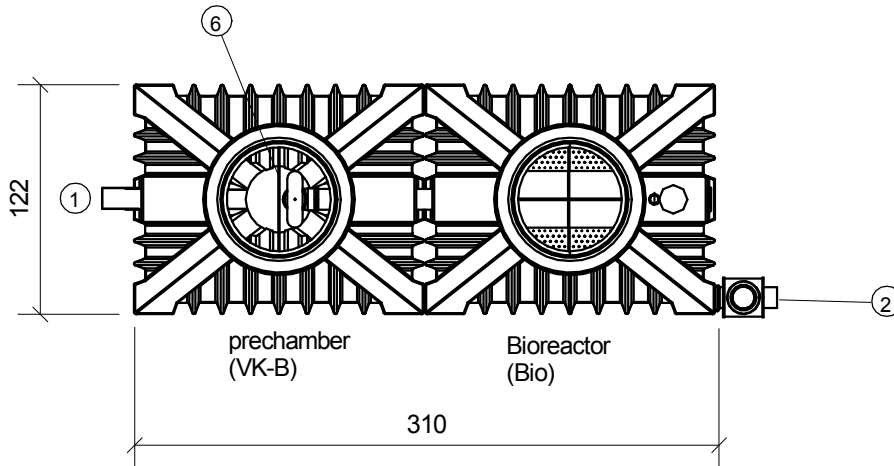
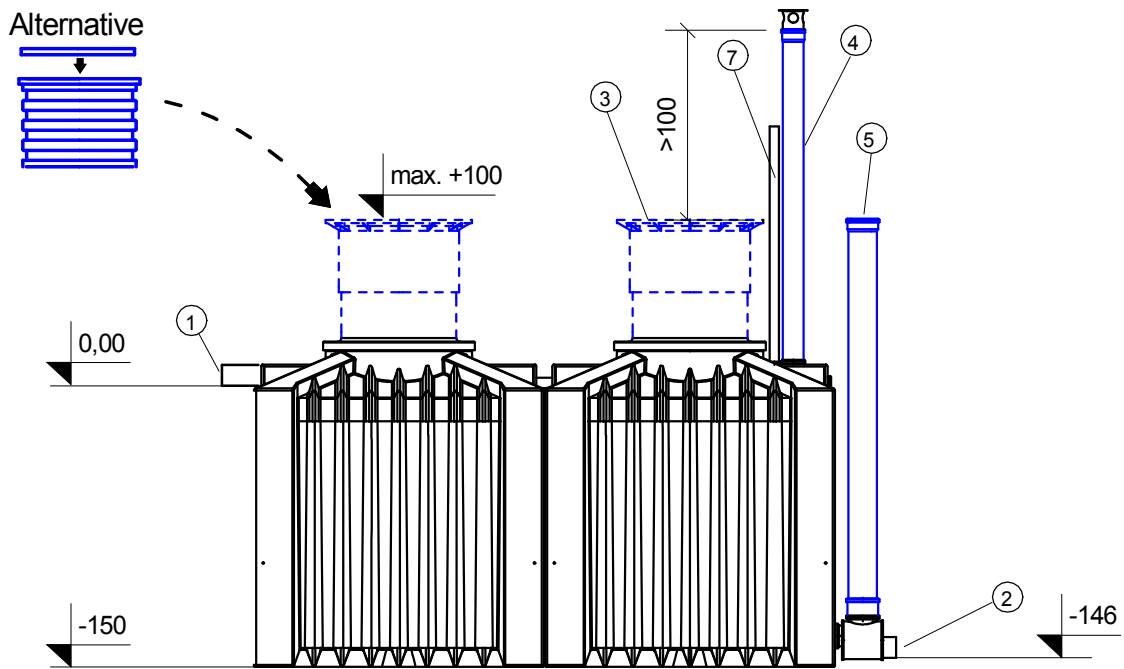


all measurements in cm



1. Inlet DN100 (Mat. KG/PE)
2. Outlet by gravity DN 100 (Mat. KG/PE)
3. Cover with aeration holes (Mat. PE)
4. Aeration-pipe DN100 (Mat. KG / PE)
- If the aeration pipe is moved laterally in the ground, always with drop to the system!!!
5. Sampling shaft DN150 (Mat. KG / PE)
6. Bafflewall (Mat. PE)
7. Alarm (Indicator for water backflow) - Option

Material for tanks: PE

All components marked in blue are provided by others or available as an option.

Series 4 p.e.  
Drain by gravity

www.clearfox.com  
info.clearfox.com

**ClearFox**<sup>®</sup>  
[be clever]



WWTP ClearFox nature  
Class C

Datei:ZE\_ClearFox nature 4 EW\_05.2015\_E.SKF

M1:40

Datum: 22.05.2015

DIN A4

gez.: mz